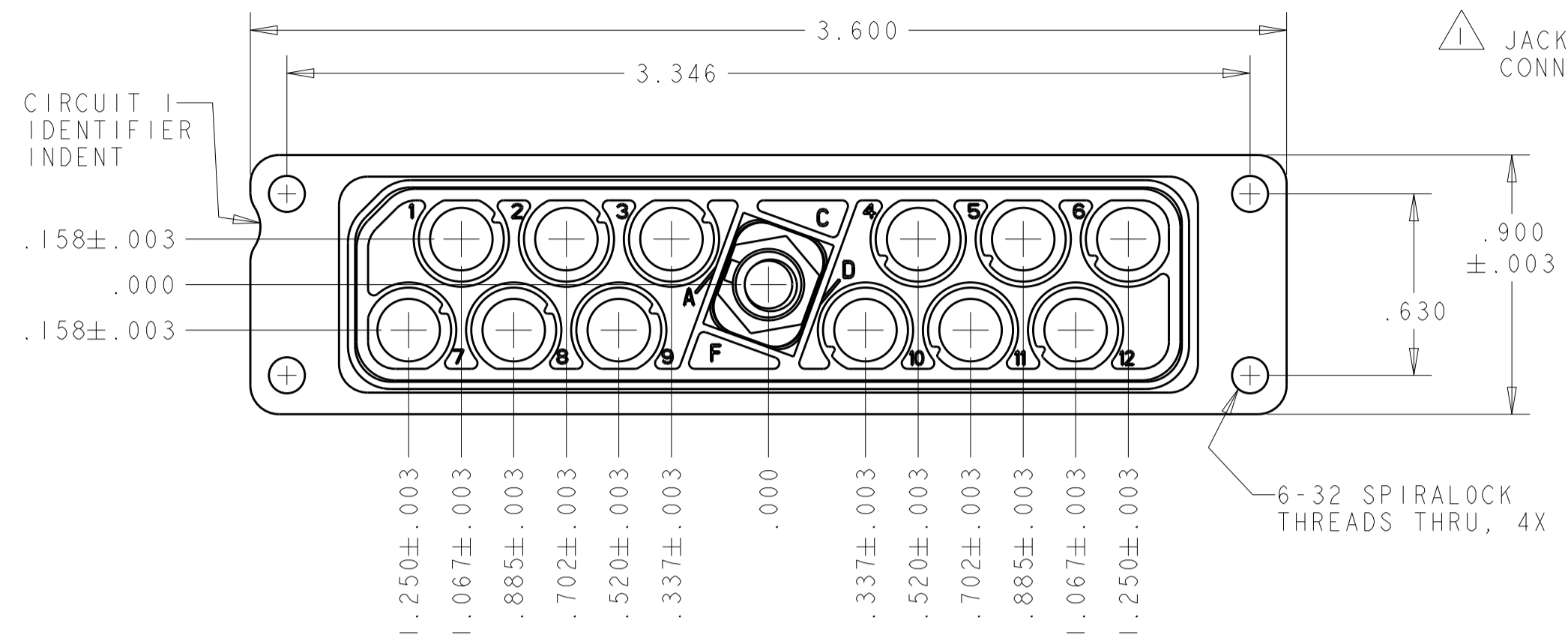
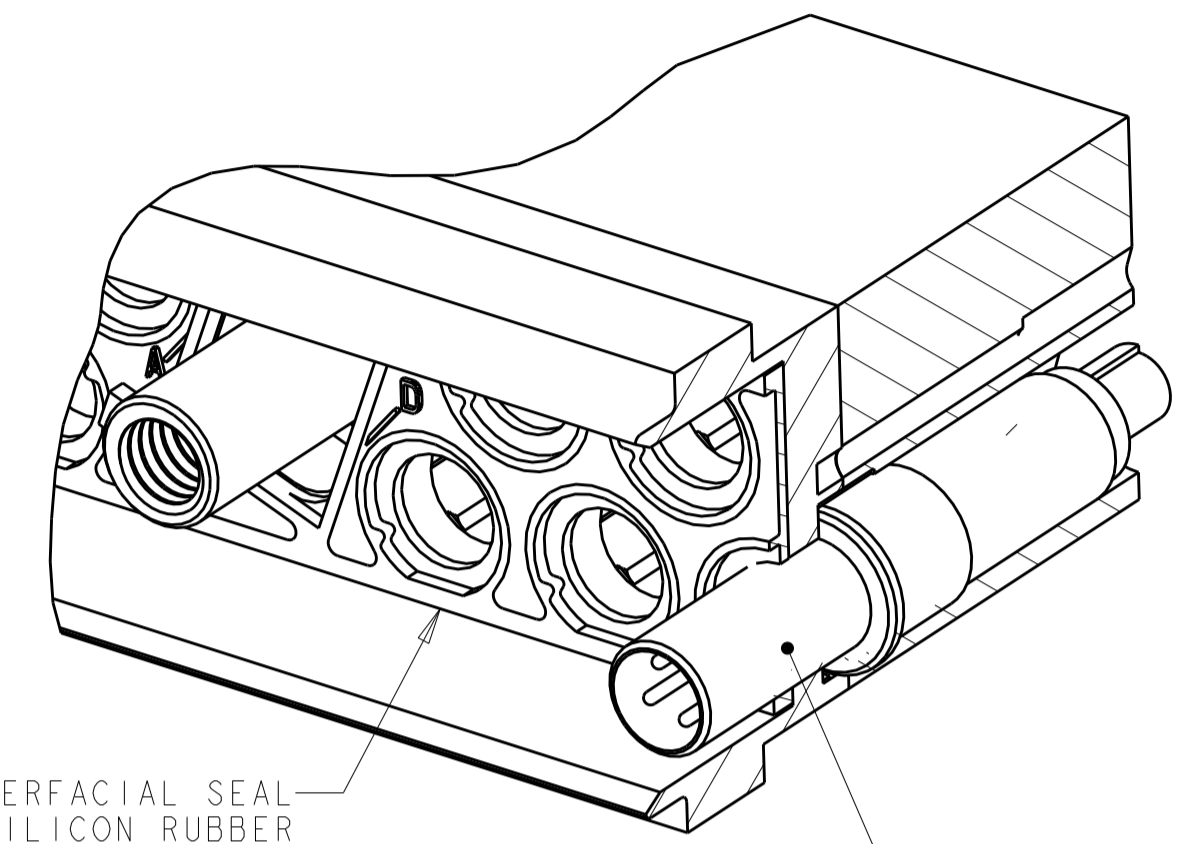


THIS DRAWING IS UNPUBLISHED. RELEASED FOR PUBLICATION 20
 © COPYRIGHT 20 BY TYCO ELECTRONICS CORPORATION. ALL RIGHTS RESERVED.

LOC	DIST	REVISIONS					
DF	A5	P	LTR	DESCRIPTION	DATE	DWN	APVD
		O		RELEASED PER OH14-0311-05	02MAY05	BW	RW
		A		REV PER ECO 08-000828	11MAR2008	CT	DM
		B		REV PER ECO 08-007225	4-30-08	CT	DM

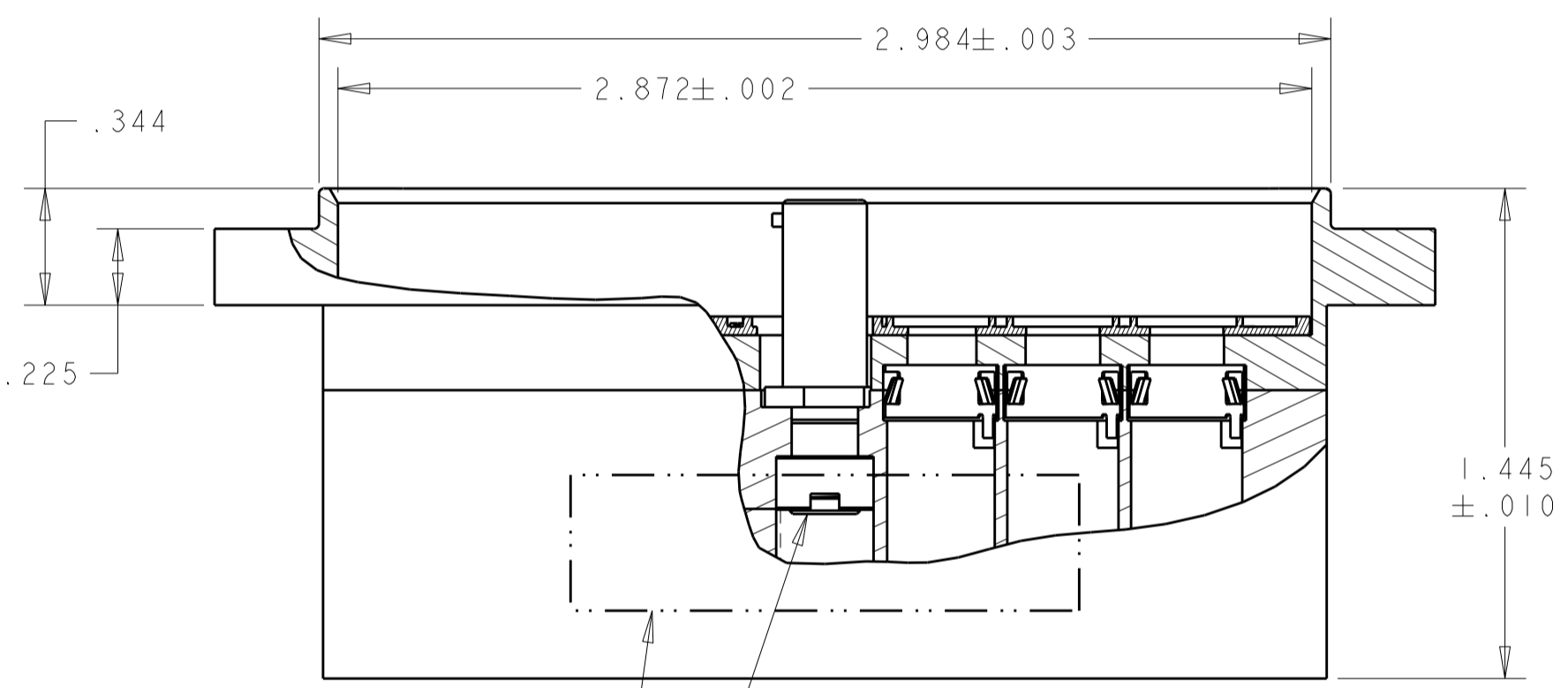


⚠ JACKPOST-RETENTION NUT KIT IS UNASSEMBLED TO CONNECTOR ASSY. KIT IS PACKAGED IN SEALED BAG.



INTERFACIAL SEAL
 MATL: SILICON RUBBER
 BONDED TO SHELL

RR/RR QUADRAX PIN ASSY
 12 REQD, NOT INCLUDED.
 MUST BE ORDERED SEPARATELY
 SEE TABLE FOR RECOMMENDED
 CONTACT PART NUMBERS

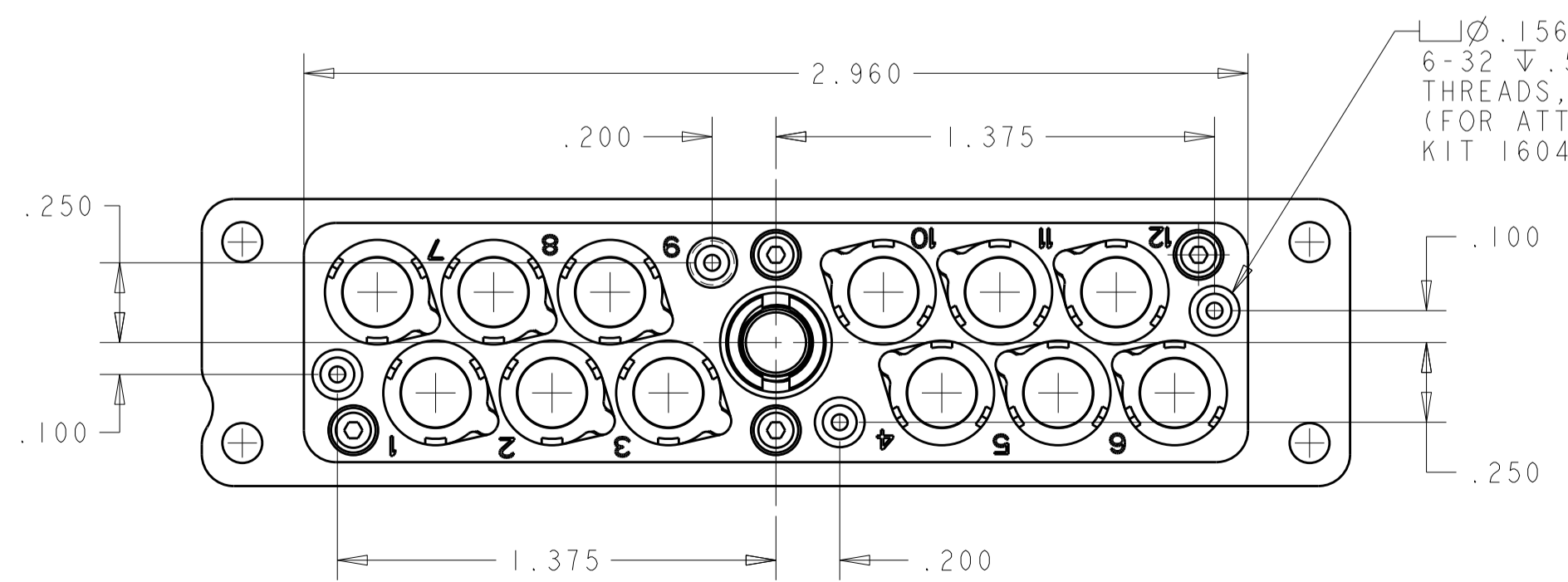


RECEPTACLE SHELL AND
 REAR RETENTION PLATE
 MATL: ALUMINUM ALLOY
 FINISH: SEE TABLE

TE LOGO, DATE CODE AND
 EITHER CUSTOMER OR TE
 PART NUMBER (PER TABLE)
 MARKED APPROX AS SHOWN
 ON NEAR OR FAR SIDE

JACKPOST AND RETENTION NUT KIT,
 SIMILAR TO BACC65AG; FLAT PLZN;
 INCLUDED, BUT NOT INSTALLED

RETENTIVE CLIP, 12 REQD
 MATL: STAINLESS STEEL
 FINISH: PLATED SILVER



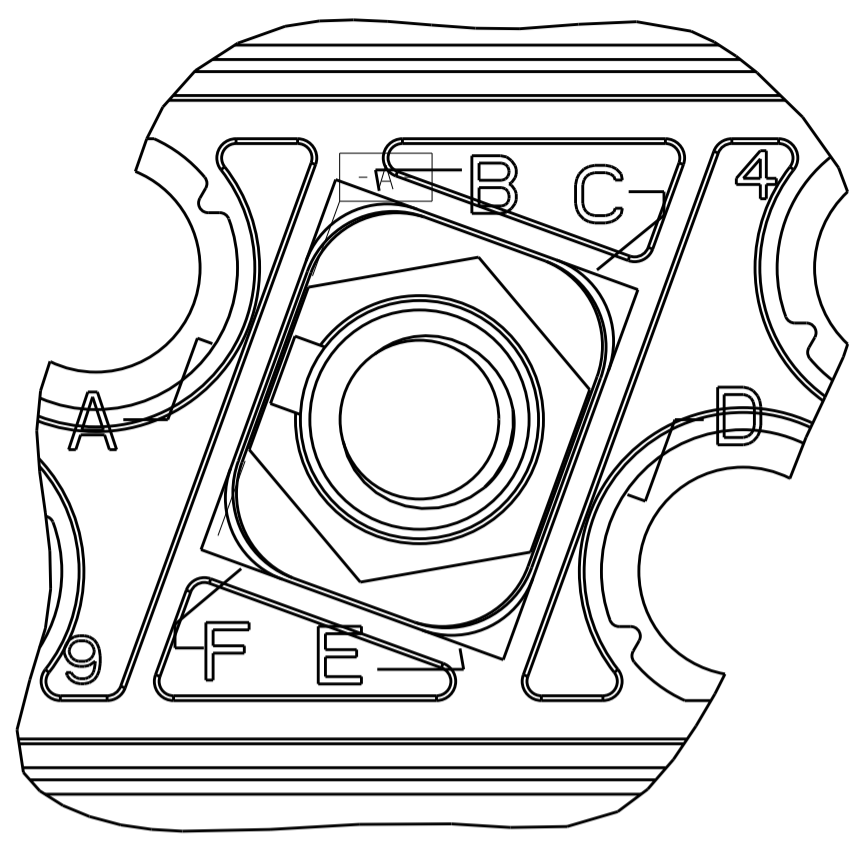
∅ .156 $\sqrt{.21}$
 6-32 $\sqrt{.50}$ SPIRALLOCK
 THREADS, 4X
 (FOR ATTACHING BACKSHELL
 KIT 1604874-1)

FINISH	RECOMMENDED CONTACT WITH WIRE SEAL	BOEING PART NUMBER	DESCRIPTION	PART NO.
ELECTROLESS NICKEL	1445692-3	---	⚠ WITH JACKPOST-RETENTION NUT KIT (FLAT POLARIZATION) INCLUDES DUST COVER	1604799-7
BLACK ANODIZED	1445692-3	---	⚠ WITH JACKPOST-RETENTION NUT KIT (FLAT POLARIZATION) INCLUDES DUST COVER	1604799-5
BLACK ANODIZED	1445692-4	BACC65BD12A	⚠ WITH JACKPOST-RETENTION NUT KIT (FLAT POLARIZATION) INCLUDES DUST COVER	1604799-4
BLACK ANODIZED	1445692-2	---	⚠ WITH JACKPOST-RETENTION NUT KIT (FLAT POLARIZATION) INCLUDES DUST COVER	1604799-2

<small>THIS DRAWING IS A CONTROLLED DOCUMENT FOR TYCO ELECTRONICS CORPORATION. IT IS SUBJECT TO CHANGE AND THE CONTROLLING ENGINEERING ORGANIZATION SHOULD BE CONTACTED FOR THE LATEST REVISION.</small>		DWN 23APR2003 Brent D. Yohn CHK 12-10-2003 W.H. BERNHART APVD 12-10-2003 W.H. BERNHART	Tyco Electronics Harrisburg, PA 17105-3608
DIMENSIONS: IN 	TOLERANCES UNLESS OTHERWISE SPECIFIED: 0 PLC ± 1 PLC ± 2 PLC ± 3 PLC ±.005 4 PLC ± ANGLES ±° FINISH	PRODUCT SPEC APPLICATION SPEC WEIGHT CUSTOMER DRAWING	NAME ASSEMBLY, RECEPTACLE, QUADRAX, PANEL MOUNT, RR/RR, 12 POSN SIZE A2 CAGE CODE 00779 DRAWING NO. 1604799 RESTRICTED TO SCALE 2:1 SHEET 1 OF 2 REV B

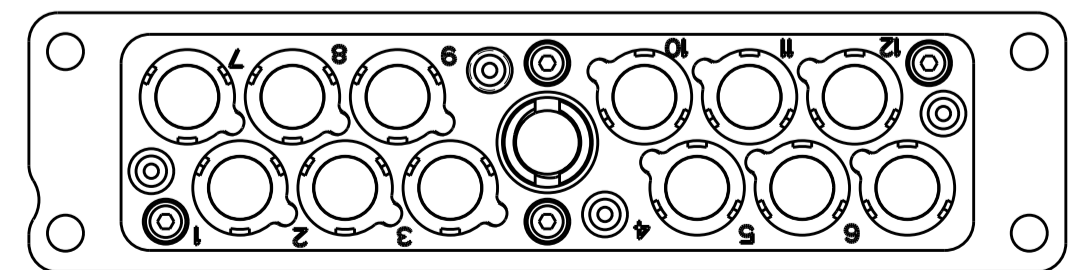
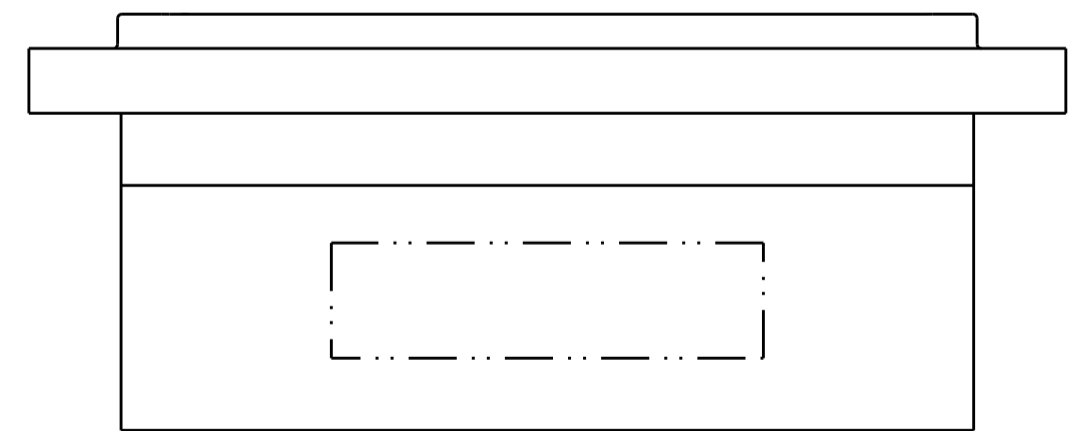
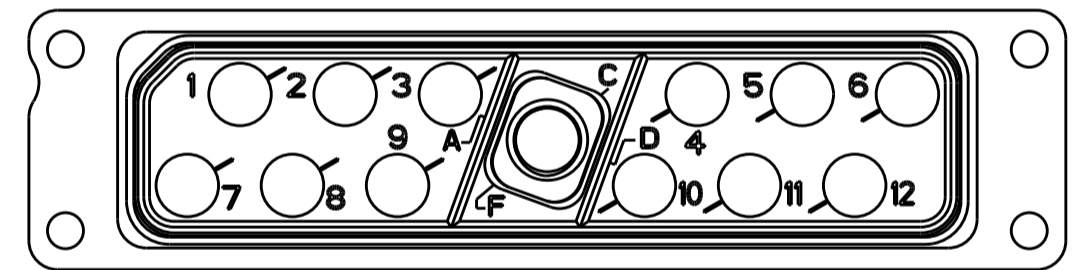
THIS DRAWING IS UNPUBLISHED. RELEASED FOR PUBLICATION 20
 © COPYRIGHT 20 BY TYCO ELECTRONICS CORPORATION. ALL RIGHTS RESERVED.

LOC	DIST	REVISIONS					
DF	A5	P	LTR	DESCRIPTION	DATE	DWN	APVD
		-		SEE SHEET 1			

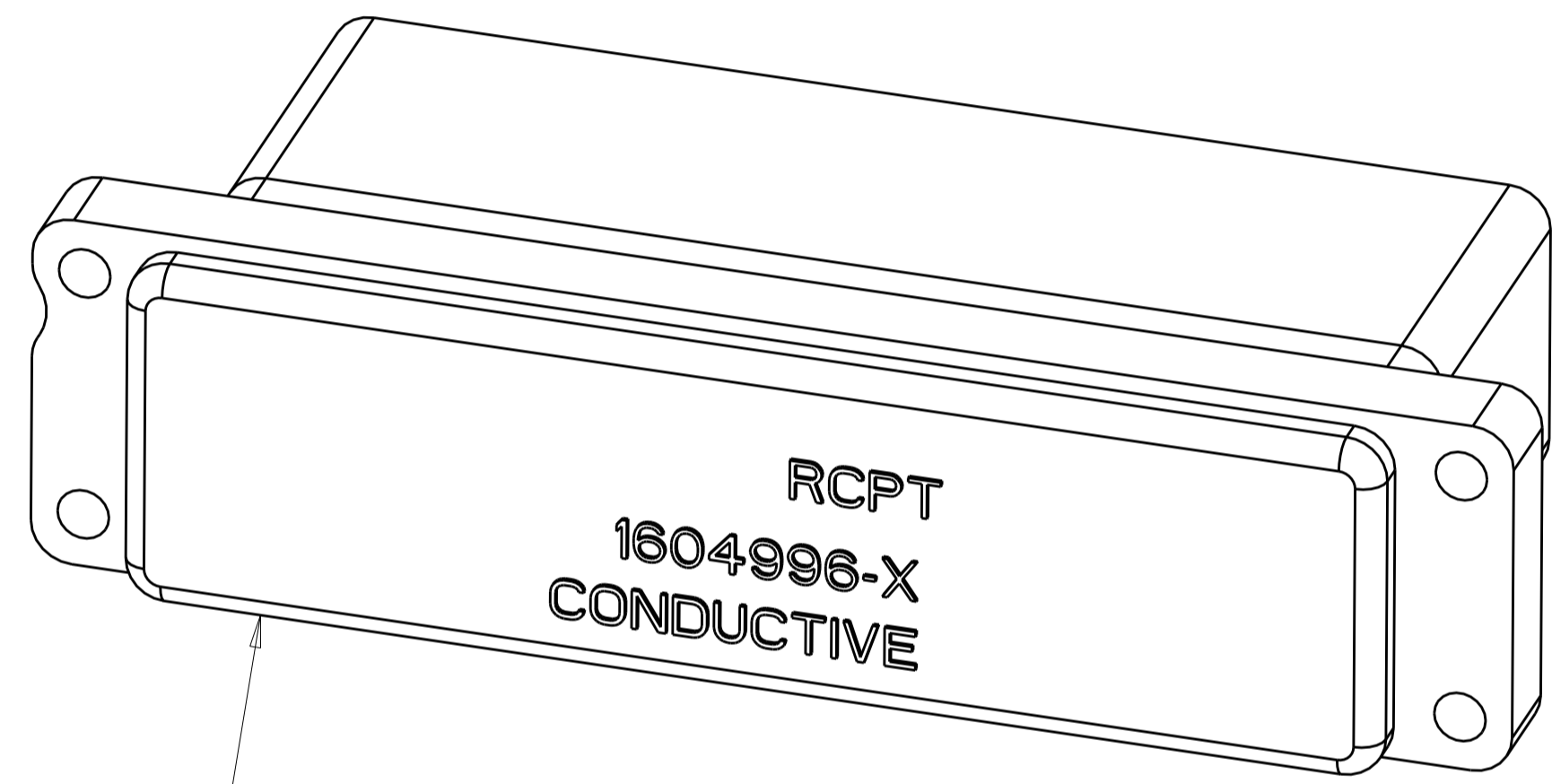


1604799-2, -4 & -5 (FLAT PLZLN)

(CODES A, B, C, D, E, AND F;
 SHOWN FOR REF ONLY)
 (MARKING ON INTERFACIAL SEAL
 WILL ONLY SHOW A, C, D AND F)



1604799-2
 SCALE 3:2



ESD DUST COVER; PART NUMBER 1604996-1
 INCLUDED WITH ASSEMBLIES

SHOWN WITH DUST COVER

<small>THIS DRAWING IS A CONTROLLED DOCUMENT FOR TYCO ELECTRONICS CORPORATION IT IS SUBJECT TO CHANGE AND THE CONTROLLING ENGINEERING ORGANIZATION SHOULD BE CONTACTED FOR THE LATEST REVISION.</small>		DWN 23APR2003 Brent D. Yohn CHK 12-10-2003 W.H. BERNHART APVD 12-10-2003 W.H. BERNHART	Tyco Electronics Harrisburg, PA 17105-3608
DIMENSIONS: IN 	TOLERANCES UNLESS OTHERWISE SPECIFIED: 0 PLC ± 1 PLC ± 2 PLC ± 3 PLC ±.005 4 PLC ± ANGLES ±° FINISH	PRODUCT SPEC APPLICATION SPEC WEIGHT CUSTOMER DRAWING	NAME ASSEMBLY, RECEPTACLE, QUADRAX, PANEL MOUNT, RR/RR, 12 POSN
MATERIAL		SIZE	RESTRICTED TO
		A2	
		CAGE CODE	DRAWING NO
		00779	1604799
		SCALE	SHEET OF REV
		4:1	2 OF 2 B